

Electrified Performance

Allison continues to innovate, building on over 70 years of experience in military ground vehicles. As the necessity to balance efficiency, performance and reliability increases, Allison is proud to introduce the eGen Force™ electric hybrid propulsion system for tracked vehicles.

The eGen Force is the newest product in Allison's extensive armored vehicle portfolio, meeting requirements across a wide spectrum of applications for Infantry Fighting Vehicle and Main Battle Tank markets.

Engineered to deliver optimal performance with added capabilities including drive-by-wire, on-board vehicle power and silent mobility by utilizing an optional electric motor for boost and supplemental propulsion which aids soldier survivability. eGen Force more than meets the grade by offering a powerful but lightweight solution while still living up to the same quality and reliability expected from an Allison.

eGen Force more than meets the grade by offering a powerful solution while still living up to the same quality and reliability expected from Allison.

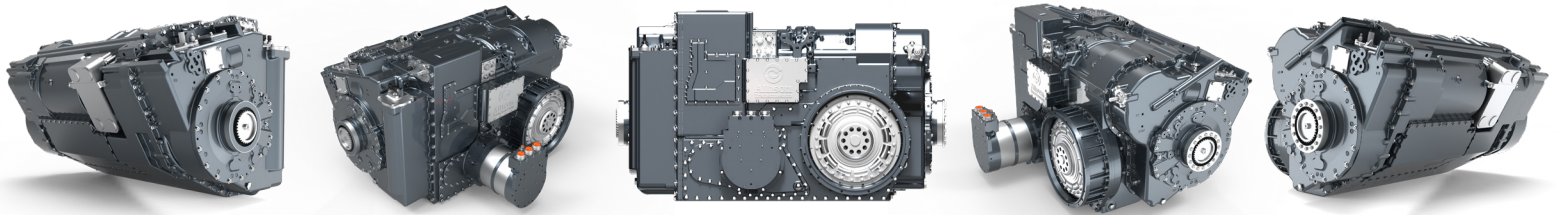
Advantages of Hybridization

Enhanced Performance

- Optimal acceleration using torque fill and boost capability
- Silent mobility through low speed electric-only operation

Reduced Operating + Support Costs

- Improved fuel economy and vehicle range through hybrid architecture
- Enables electrification of high-power onboard systems
- Extended silent watch and micro-grid support capability

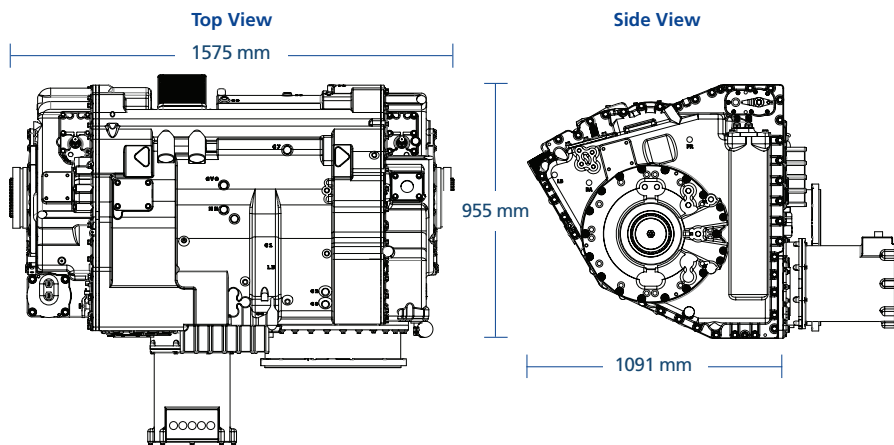


Advantages of eGen Force™

Advanced Capabilities:

- Designed from the ground up around hybrid electrification
- Optimal balance between fuel and battery efficiency
- Allows exportable power provisions and drive-by-wire capability
- Enables reliable and efficient silent mobility

Specifications



Features

Feature	Description
Engine Power	850 kW / 1140 hp
Width	1575 mm / 62 in
Length	1091 mm / 43 in
Height	955 mm / 37.6 in
Powertrain	Conventional with Hybrid Option
Dry Weight	< 2000 kg / 4400 lbs
Vehicle Weight	36-55 Tonne / 40-60.5 Ton
Gearing	8 forward, 3 reverse
Mechanical Ratio	11.9:1
PTO Options	Optional Mechanical or Electric
On-Board Vehicle Power	220kW @ 600 V Continuous
eMachine	600 Volt System
Drive-by-Wire Capable	Yes



A World of Support

From our headquarters in Indianapolis, Indiana, USA, to our plants in Hungary and India, to more than 1,400 Allison Authorized Distributors and Dealers around the globe, you are never far from the products, training, service and support you demand.

Our support starts from the moment an Allison transmission is specified. We work with you to ensure that the model and ratings fit your engine to create a tailored package of powerful performance and reliable efficiency. When you need parts or service, you can count on global access to factory-trained specialists and Allison Genuine Parts™.