

Revisions to this document are noted by a stripe in the left-hand margin

#1099, Rev. T
March, 2017
Page 1 of 28

SUBJECT: Transmission Fluid/Filter Change Recommendations

MODELS AFFECTED: All Commercial On-Highway Products, AT 500 Series, MT 600 Series, HT 700 Series, 1000 and 2000 Product Families Transmissions, 3000 Product Families Transmissions (includes B300/400 and T200/300), 4000 Product Families Transmissions (includes B500 and T400/500), TC10, H 40/50 EP™ Products

Introduction:

Optimum performance and reliability of heavy-duty automatic transmissions can be noticeably influenced by the type of fluid used and the frequency with which that fluid is changed. Allison Transmission has designed extensive programs including specifications and tests to verify the quality of fluids and consequently have specific fluid and filter change recommendations. Due to field studies, changes in emission requirements, vehicle design, and operating environments, Allison Transmission has realigned recommended fluid and filter change intervals. Heavy-duty Automatic Transmission change intervals have been revised to more closely match today's operating environments.

Model Year 2009 and 2010 Prognostics:

Prognostics that monitor and maximize fluid and filter life were offered in Model Year 2009 for 1000/2000/3000/4000 Product Families Transmissions. 3000/4000 Product Families Transmissions began using Prognostics with serial numbers 6510822005 (3000), 6520099957 (3000), 6610257671 (4000), 6620007438 (4000). 1000/2000 Product Families Transmission Prognostics were first available in July of 2008 (MY2009). **MY2009 Allison Prognostics must only be used with Allison Approved TES 295 or TES 468 fluids.** January 2010 Allison Prognostics are compatible with TES 295, TES 468 and TES 389 approved fluids in 3000/4000 Product Families Transmissions starting with TCM calibration CIN 4C or later (4C-xxxx-yyy-z) and all January 2010 1000/2000 Product Families Transmissions.

All 3000/4000 Product Families Transmissions utilizing Prognostics require the use of Allison High Capacity filters. All 1000/2000 Product Families Transmissions utilizing Prognostics require the use of Allison Control Main Spin-On filter, P/N 29539579. 1000/2000/3000/4000 Product Families Transmissions may or may not have this feature "enabled" or turned ON. This option requires that the OEM provide the wiring necessary and the feature enabled in the TCM. Refer to the appropriate Operator's Manual for the methods of identifying if Prognostics is enabled.

Refer to Table 4 for Filter/Fluid Change Intervals/Fluid Capacities by Product Family.

Fluids and Specifications:

Fluid types are defined by applicable performance specification. The following transmission fluid types are approved for use in Allison Commercial On-Highway transmission products.

Fluid Type	Recommended (Intended) Usage
<p>TES 295 and TES 468 Fluids</p> <ul style="list-style-type: none"> See www.allisontransmission.com for a list of Allison Approved TES 295 and TES 468 fluids 	<ul style="list-style-type: none"> General or severe duty Extended change interval (4) (required) Extended Transmission Coverage (ETC) policy (required) Prognostics (required) MY2009 TES 468 fluids are required for H 40/50 EP™ products
<p>Allison Approved Non-TES 295 and Non-TES 468 Fluids (1)(2)</p> <ul style="list-style-type: none"> Schedule One TES 389* Military specification fluids (for use in Military Vehicles Only) (3) <p>* See www.allisontransmission.com for a list of Allison Approved TES 389 fluids</p>	<ul style="list-style-type: none"> General or severe duty Standard change interval (4) Prognostics MY2010 (5)
<p>(1) TES 228 (C4 type) fluids are no longer approved for use in Commercial On-Highway transmission products and have been removed from the Allison Approved Non-TES 295 and Non-TES 468 fluids list. (2) DEXRON®-III and DEXRON®-VI fluids are no longer approved for use in Commercial On-Highway transmission products and have been removed from the Allison Approved Non-TES 295 or Non-TES 468 fluids list. (3) Military specification fluids are approved for use in Military Applications in 3000, 4000, AT, MT, and HT Series products only, and are strictly prohibited from use in 1000 and 2000 Product Families transmission products. (4) Fluid and filter change intervals are based on transmission model, vocation (duty cycle), and fluid type (see attached charts). NOTE: Fluid drain intervals are based on 100 percent fill with Allison approved fluids. Fluid change intervals may be adjusted based on fluid analysis and fleet data. Refer to Service Information Letter (SIL) 17-TR-96 for details. (5) Prognostics are available with Allison Approved TES 295, TES 468 and TES 389 fluids only.</p>	

Local conditions, severity of operation or duty cycle may require more or less frequent fluid change intervals that differ from the published recommended fluid change intervals of Allison Transmission. Allison Transmission recommends that customers use fluid analysis as the primary method for determining fluid change intervals. In the absence of a fluid analysis program the fluid change intervals listed in the charts must be used.

For information concerning models not listed in this publication, please call the Allison Technical Assistance Center at 1-800-252-5283.

Refer to the latest revision of Allison publication number GN2055EN, “Technicians’ Guide to Automatic Transmission Fluid”, and SIL 17-TR-96 for additional information on oil analysis and general knowledge about transmission fluids.

Transmissions Not OEM Factory Filled with TES 295 or TES 468 Fluids:

New vehicles delivered from the OEM with a mixture of TES 295 or TES 468 fluid and Allison Approved Non-TES 295 or Non-TES 468 fluids must follow fluid/filter change recommendations for Allison Approved Non-TES 295 or Non-TES 468 fluids outlined in flow charts. If the customer fills the transmission with Allison Approved TES 295 or TES 468 fluid, the change recommendations of Allison Approved Non-TES 295 or Non-TES 468 fluids must

be followed. Upon the second oil change, if the customer reinstalls TES 295 or TES 468, the fluid/filter change recommendations outlined in 100 percent TES 295 or TES 468 approved fluids must be followed. H 40/50 EP™ Products require OEM factory TES 468 fluids.

Fluid Exchange:

Fluid exchanging machines are not recommended or recognized due to variation and inconsistencies that may not guarantee removal of 100 percent of the used fluid.

3000/4000 Product Families and H 40/50 EP™ Filters:

New high-capacity filters were released into production beginning with:

6510670912 (3000) 6610205144 (4000) 7110001551 (H 40/50 EP™) 6520067342 (3000) 6620002521 (4000)

3000/4000 Product Families Transmissions Elimination of Initial Filter Change Requirement and Kit:

Transmissions equipped with Allison high-capacity filters do not require an initial main filter change at 5000 miles/8000 km/200 hours. However, serial numbers prior to those numbers listed above, Allison Transmission requires the initial filter change interval. An initial main filter kit P/N 29540495 (2 inch) or kit P/N 29540496 (4 inch) contains only one Gold series filter and all necessary seals and gaskets to perform the first 5000 mile/8000 km/200 hour main filter change. These kits have been completely cancelled. Once stock has been depleted, it will be necessary to order the high-capacity filter from the Allison Parts Distribution Center.

High-Capacity Filters:

Allison 3000/4000 Product Families and H 40/50 EP™ high-capacity filters were released into production beginning July 2006. High-capacity filters allow extended filter change intervals when used with Allison Approved TES 295 or TES 468 fluid. High-capacity filters can be identified by P/N 29545777 or P/N 29545780 stamped into the filter end cap. Previous Allison 3000/4000 Product Families and H 40/50 EP™ filters can be identified by P/N 29538231 or P/N 29538232 stamped into the filter end cap.

Table 1. Filters

Product Families	Gold Series Filter Kit (Former)	High-Capacity Filter Kit (Current)
3000/4000	29540493 (2 inch)	29558117 (2 inch)
	29540494 (4 inch)	29558118 (4 inch)
H 40/50 EP™	29541508	29545785



NOTE: Extended 3000/4000 Product Families transmissions Allison Approved TES 295 or TES 468 fluid and filter change intervals are only allowed with Allison high-capacity filters. Filters must be changed at or before recommended intervals.

When replacing Gold series filters with high-capacity filters in transmissions containing 100 percent Allison Approved TES 295 or TES 468, it is allowed to follow high-capacity fluid and filter change intervals.

Initial Transmission Filter Change Schedule (Production/ReTran®)

*3000 and 4000 Product Families Transmissions — Main Filter 5000 miles (8000 km)/200 hours

*3000 and 4000 Product Families Transmission ReTran® — Main Filter 5000 miles (8000 km)/200 hours

H 40/50 EP™ Products Spin-On Control Main Filter 5000 miles (8000 km)/200 hours

AT Auxiliary Filter 5000 miles (8000 km)/200 hours

MT Auxiliary Filter 5000 miles (8000 km)/200 hours

*Not required beginning with S/N 6510670912, S/N 6610205144, S/N 6520067342, S/N 6620002521, and S/N 9320005689, S/N 9370006284, S/N 9420006679, S/N 9470005459

1000, 2000, 3000, 4000 Product Families Hours vs. Miles Chart

[Table 2](#) (2000/3000 Hour Based Maintenance) and [Table 3](#) (4000/6000 Hour Based Maintenance) list the equivalent mileage based on the Allison recommended change intervals for Allison Approved TES 295 or TES 468 approved fluids. For example, vocations or vehicles that operate with a high density shift cycle typically reach the 6000/3000 hour change limit **before** the recommended mileage limit.

An example could be a transit bus equipped with a B500R that operates an average of 7 mph (11 km/h). Recommended fluid/filter change interval for a B500R equipped with 2 inch control module in a transit vocation using a TES 295 or TES 468 fluid is 150,000 miles/240 000 km/6000 hours or 48 months whichever occurs first. Using [Table 3](#) Hours vs. Miles, a vehicle operating at 7 mph (11 km/h) will travel approximately 42,000 miles (66 000 km) in 6000 hours. If an odometer is used to determine when to change the transmission fluid and filters, this specific vehicle would change the fluid every 42,000 miles (66 000 km) and filters every 21,000 miles (33 000 km).

Estimating average mph can be approximated by dividing total distance traveled in a typical day by the hours elapsed during that total distance. An example would be a vehicle that operates on average 96 miles (155 km) a day over an 8 hour period would average 12 mph (19 km/h).

Table 2. 2000 and 3000 Hour Based Maintenance — Hours vs. Miles

2000 Hour Based Maintenance				3000 Hour Based Maintenance			
km/h Average	km Equivalent	MPH Average	miles Equivalent	km/h Average	km Equivalent	MPH Average	miles Equivalent
5	10000	3	6000	5	15000	3	9000
6	12000	4	8000	6	18000	4	12000
8	16000	5	10000	8	24000	5	15000
10	20000	6	12000	10	30000	6	18000
11	22000	7	14000	11	33000	7	21000
13	26000	8	16000	13	39000	8	24000
14	28000	9	18000	14	42000	9	27000
16	32000	10	20000	16	48000	10	30000
18	36000	11	22000	18	54000	11	33000
19	38000	12	24000	19	57000	12	36000
21	42000	13	26000	21	63000	13	39000
23	46000	14	28000	23	69000	14	42000
24	48000	15	30000	24	72000	15	45000
26	52000	16	32000	26	78000	16	48000
27	54000	17	34000	27	81000	17	51000
29	58000	18	36000	29	87000	18	54000
31	62000	19	38000	31	93000	19	57000
32	64000	20	40000	32	96000	20	60000
34	68000	21	42000	34	102000	21	63000
35	70000	22	44000	35	105000	22	66000
37	74000	23	46000	37	111000	23	69000
39	78000	24	48000	39	117000	24	72000
40	80000	25	50000	40	120000	25	75000

Table 3. 4000 and 6000 Hour Based Maintenance — Hours vs. Miles

4000 Hour Based Maintenance				6000 Hour Based Maintenance			
km/h Average	km Equivalent	MPH Average	miles Equivalent	km/h Average	km Equivalent	MPH Average	miles Equivalent
5	20000	3	12000	5	30000	3	18000
6	24000	4	16000	6	36000	4	24000
8	32000	5	20000	8	48000	5	30000
10	40000	6	24000	10	60000	6	36000
11	44000	7	28000	11	66000	7	42000
13	52000	8	32000	13	78000	8	48000
14	56000	9	36000	14	84000	9	54000
16	64000	10	40000	16	96000	10	60000
18	72000	11	44000	18	108000	11	66000
19	76000	12	48000	19	114000	12	72000
21	84000	13	52000	21	126000	13	78000
23	92000	14	56000	23	138000	14	84000
24	96000	15	60000	24	144000	15	90000
26	104000	16	64000	26	156000	16	96000
27	108000	17	68000	27	162000	17	102000
29	116000	18	72000	29	174000	18	108000
31	124000	19	76000	31	186000	19	114000
32	128000	20	80000	32	192000	20	120000
34	136000	21	84000	34	204000	21	126000
35	140000	22	88000	35	210000	22	132000
37	148000	23	92000	37	222000	23	138000
39	156000	24	96000	39	234000	24	144000
40	160000	25	100000	40	240000	25	150000

Table 4. Filter/Fluid Change Intervals/Fluid Capacities

1000/ 2000 Product Families	Filter	Change Intervals	Refer to Appendix A
		Filter Types and Part Numbers	Refer to Appendix A
	Fluid	Change Intervals	Refer to Appendix A
		Fluid Capacity	Refer to Appendix A
3000/ 4000 Product Families	Filter	Change Intervals	Refer to Appendix B
		Filter and Gasket Kits	Refer to Appendix B
	Fluid	Change Intervals	Refer to Appendix B
		Fluid Capacity	Refer to Appendix B
		Additional Fill for Allison Coolers/Accumulators	Refer to Appendix B
TC10	Filter	Change Intervals	Refer to Appendix C
		Filter and Gasket Kits	Refer to Appendix C
	Fluid	Change Intervals	Refer to Appendix C
		Fluid Capacity	Refer to Appendix C
H 40/ 50 EP™ Products	Filter	Change Intervals	Refer to Appendix D
		Filter and Gasket Kits	Refer to Appendix D
	Fluid	Change Intervals	Refer to Appendix D
		Fluid Capacity	Refer to Appendix D
AT 500 Series	Filter	Change Intervals	Refer to Appendix E
		Filter and Gasket Kits	Refer to Appendix E
	Fluid	Change Intervals	Refer to Appendix E
		Fluid Capacity	Refer to Appendix E
MT 600 Series	Filter	Change Intervals	Refer to Appendix F
		Filter and Gasket Kits	Refer to Appendix F
	Fluid	Change Intervals	Refer to Appendix F
		Fluid Capacity	Refer to Appendix F
HT 700 Series	Filter	Change Intervals	Refer to Appendix G
		Filter and Gasket Kits	Refer to Appendix G
	Fluid	Change Intervals	Refer to Appendix G
		Fluid Capacity	Refer to Appendix G

Appendix A. 1000/2000 Filter Change/Fluid Change Intervals

Table 5. Recommended Filter Change/Fluid Change Intervals — No Prognostics or when Prognostics is NOT Enabled/Turned OFF

NOTE: Refer to [Table 9](#) for Filter Type/Part Number Information and [Table 10](#) for Fluid Capacity Information.

NOTE: Change filters/fluid at or before recommended mileage, months, or hours have elapsed, whichever occurs first.

NOTE: Local conditions, severity of operation or duty cycle may require more or less frequent fluid change intervals that differ from the published recommended fluid change intervals of Allison Transmission. Allison Transmission recommends that customers use fluid analysis as the primary method for determining fluid change intervals. In the absence of a fluid analysis program the fluid change intervals listed in the charts should be used.

Filter Change Intervals, No Prognostics or when Prognostics is NOT Enabled/Turned OFF							
100 Percent Concentration Allison Approved TES 295 or TES 468 Fluids*			Allison Approved Schedule One TES 389 Fluids†				
Control Main Filter	Internal Filter	Lube/Auxiliary Filter	Control Main Filter		Internal Filter	Lube/Auxiliary Filter	
General** or Severe*** 50,000 Miles (80 000 km) 2000 Hours 24 Months	Overhaul	General** or Severe*** 50,000 Miles (80 000 km) 2000 Hours 24 Months	General** 50,000 Miles (80 000 km) 2000 Hours 24 Months	Severe*** 12,000 Miles (20 000 km) 500 Hours 6 Months	Overhaul	General** 50,000 Miles (80 000 km) 2000 Hours 24 Months	Severe*** 12,000 Miles (20 000 km) 500 Hours 6 Months
Fluid Change Intervals, No Prognostics or when Prognostics is NOT Enabled/Turned OFF							
100 Percent Concentration Allison Approved TES 295 or TES 468 Fluids*				Allison Approved Schedule One TES 389 Fluids†			
General** 150,000 Miles (240 000 km) 4000 Hours 48 Months		Severe*** 75,000 Miles (120 000 km) 3000 Hours 36 Months		General** 50,000 Miles (80 000 km) 2000 Hours 24 Months		Severe*** 12,000 Miles (20 000 km) 500 Hours 6 Months	
* Anything other than 100 percent concentration of Allison Approved TES 295 or TES 468 fluid is considered a mixture and should utilize Schedule One TES 389 change intervals. † See www.allisontransmission.com for a list of Allison Approved TES 389 fluids. ** General Vocation: All other vocations. *** Severe Vocation: On/Off Highway, Refuse, City Transit, and Shuttle Transit. Duty cycles greater than one (1) stop per mile.							

**Table 6. Recommended Filter Change/Fluid Change Intervals — Prognostics
 “ON” in MY2009 TCM Calibrations**

NOTE: Refer to [Table 9](#) for Filter Type/Part Number Information and [Table 10](#) for Fluid Capacity Information.

Filter Change Intervals, Prognostics “ON” in MY2009 TCM Calibrations *		
REQUIRED ** 100 Percent Concentration Allison Approved or TES 468 Fluids and Allison Control Main Filter (29539579) ** REQUIRED		
General or Severe		
Control Main Filter	Internal Filter	Lube/Auxiliary Filter
Change filters when indicated by controller or 48 months, whichever occurs first.	Overhaul	Change filters when indicated by controller or 48 months, whichever occurs first.
Fluid Change Intervals, Prognostics “ON” in MY2009 TCM Calibrations *		
REQUIRED ** 100 Percent Concentration Allison Approved TES 295 or TES 468 Fluids and Allison Control Main Filter (29539579) ** REQUIRED		
General or Severe		
Change fluid when indicated by controller or 48 months, whichever occurs first.		
* If Prognostics is turned “OFF” or NOT calibrated in TCM, refer to Table 5 for fluid change intervals.		
** Less than 100 percent concentration of TES 295 or TES 468 Allison approved fluids is considered a mixture and shall not be used with Prognostics or this change schedule.		

**Table 7. Recommended Filter Change/Fluid Change Intervals — Prognostics
 “ON” in MY2010 TCM Calibrations**

NOTE: Refer to [Table 9](#) for Filter Type/Part Number Information and [Table 10](#) for Fluid Capacity Information.

NOTE: This schedule to be used with MY2010 1000/2000 Product Family Transmissions and **TES 389**.

Filter Change Intervals, Prognostics “ON” in MY2010 TCM Calibrations *		
REQUIRED — Allison Control Main Filter (29539579) — REQUIRED		
General or Severe		
Control Main Filter	Internal Filter	Lube/Auxiliary Filter
Change filters when indicated by controller or 24 months, whichever occurs first.	Overhaul	Change filters when indicated by controller or 24 months, whichever occurs first.
Fluid Change Intervals, Prognostics “ON” in MY2010 TCM Calibrations *		
REQUIRED — TES 389 or Mixtures of TES 295 and TES 468 Fluids and Allison Control Main Filter (29539579) — REQUIRED		
General or Severe		
Change fluid when indicated by controller or 24 months, whichever occurs first.		
* If Prognostics is turned “OFF” or NOT calibrated in TCM, refer to Table 5 for fluid change.		

**Table 8. Recommended Filter Change/Fluid Change Intervals — Prognostics
 “ON” in MY2010 TCM Calibrations**

NOTE: Refer to [Table 9](#) for Filter Type/Part Number Information and [Table 10](#) for Fluid Capacity Information.

NOTE: This schedule to be used with MY2010 1000/2000 Product Family Transmissions and **TES 295** or **TES 468**.

Filter Change Intervals, Prognostics “ON” in MY2010 TCM Calibrations *		
REQUIRED — TES 295 or TES 468 Fluids and Allison Control Main Filter (29539579) — REQUIRED		
General or Severe		
Control Main Filter	Internal Filter	Lube/Auxiliary Filter
Change filters when indicated by controller or 48 months, whichever occurs first.	Overhaul	Change filters when indicated by controller or 48 months, whichever occurs first.
Fluid Change Intervals, Prognostics “ON” in MY2010 TCM Calibrations *		
REQUIRED — TES 295 or TES 468 Fluids and Allison Control Main Filter (29539579) — REQUIRED		
General or Severe		
Change fluid when indicated by controller or 48 months, whichever occurs first.		
* If Prognostics is turned “OFF” or NOT calibrated in TCM, refer to Table 5 for fluid change.		

Table 9. Filter Type/Part Number

Filters	
Filter Type	Part Number
Control Main	29539579
Pan Suction (Shallow)*	29542833, 29537965**
Pan Suction (Deep)*	29542824
* Overhaul Only	
** See SIL 12-1K2K-10, Interchangeability of the Shallow Sump Filters	

Table 10. Fluid Capacity

NOTE: Approximate Fluid Loss for Control Main Filter (Spin-On) = 0.47 liters (1 pint)

Capacities (Approximate) *		
Sump Type	Initial Fill**	Refill**
	Liters (Quarts)	Liters (Quarts)
Standard	14 (14.8)	10 (10.6)
Shallow	12 (12.7)	7 (7.4)
* Fluid fill capacity is dependent on vehicle configuration. Final fluid capacity must be determined by dipstick level (see Mechanic’s Tips MT3190EN, MT4007EN Section 1 or your Operator’s Manual under “Care and Maintenance”).		
** Approximate quantities, do not include external lines, cooler, and hose.		

Appendix B. 3000/4000 Filter Change/Fluid Change Intervals

**Table 11. Recommended Filter Change/Fluid Change Intervals — Allison High Capacity Filters
 — No Prognostics or when Prognostics is NOT Enabled/Turned OFF**

NOTE: Refer to [Table 15](#) for Filter and Gasket Kit Information, [Table 16](#) for Fluid Capacity Information, [Table 17](#) for Additional Fill for Allison Coolers/Accumulators, and [Figure 1](#) for Drain Plug Location, Filter Locations, and Control Module Dimensions.

NOTE: Change filters/fluid at or before recommended mileage, months, or hours have elapsed, whichever occurs first.

NOTE: Local conditions, severity of operation or duty cycle may require more or less frequent fluid change intervals that differ from the published recommended fluid change intervals of Allison Transmission. Allison Transmission recommends that customers use fluid analysis as the primary method for determining fluid change intervals. In the absence of a fluid analysis program the fluid change intervals listed in the charts should be used.

Filter Change Intervals, No Prognostics or when Prognostics is NOT Enabled/Turned OFF							
100 Percent Concentration Allison Approved TES 295 or TES 468 Fluids*			Allison Approved Non-TES 295 or Non-TES 468 Fluids*				
Main Filter	Internal Filter	Lube Filter	Main Filter		Internal Filter	Lube Filter	
General** or Severe*** 75,000 Miles (120 000 km) 3000 Hours 36 Months	Overhaul	General** or Severe*** 75,000 Miles (120 000 km) 3000 Hours 36 Months	General** 25,000 Miles (40 000 km) 1000 Hours 12 Months	Severe*** 12,000 Miles (20 000 km) 500 Hours 6 Months	Overhaul	General** 25,000 Miles (40 000 km) 1000 Hours 12 Months	Severe*** 12,000 Miles (20 000 km) 500 Hours 6 Months
Fluid Change Intervals, No Prognostics or when Prognostics is NOT Enabled/Turned OFF							
100 Percent Concentration Allison Approved TES 295 or TES 468 Fluids*			Allison Approved Non-TES 295 or Non-TES 468 Fluids*				
General** 300,000 Miles (480 000 km) 6000 Hours 48 Months		Severe*** 150,000 Miles (240 000 km) 6000 Hours 48 Months		General** 25,000 Miles (40 000 km) 1000 Hours 12 Months		Severe*** 12,000 Miles (20 000 km) 500 Hours 6 Months	
<p>* Less than 100 percent concentration Allison Approved TES 295 or TES 468 fluid is considered a mixture and should utilize Allison Approved Non-TES 295 or Non-TES 468 fluids change intervals.</p> <p>** General Vocation: Intercity Coach with duty cycle less than or equal to one (1) stop per mile and all other vocations not listed in severe vocation.</p> <p>*** Severe Vocation: All Retarders, On/Off Highway, Refuse, Transit, and Intercity Coach with duty cycle greater than one (1) stop per mile.</p>							

Table 12. Recommended Filter Change/Fluid Change Intervals — Allison High Capacity Filters — Allison Approved TES 295 or TES 468 Fluids — Prognostics “ON”

NOTE: Refer to [Table 15](#) for Filter and Gasket Kit Information, [Table 16](#) for Fluid Capacity Information, [Table 17](#) for Additional Fill for Allison Coolers/Accumulators, and [Figure 1](#) for Drain Plug Location, Filter Locations, and Control Module Dimensions.

NOTE: Allison Approved TES 295 Fluids schedule to be used with Prognostics "ON" beginning with eligible S/N 6510822005, S/N 6520099957, S/N 6610257671, S/N 6620007438.

Filter Change Intervals, 100 Percent Concentration Allison Approved TES 295 or TES 468 Fluids, Prognostics “ON” *		
REQUIRED **100 Percent Concentration Allison Approved TES 295 or TES 468 Fluids and Allison High Capacity Filters** REQUIRED		
General or Severe		
Main Filter	Internal Filter	Lube Filter
Change filters when indicated by controller between fluid changes or 60 months, whichever occurs first.	Overhaul	Change filters when indicated by controller between fluid changes or 60 months, whichever occurs first.
Fluid Change Intervals, 100 Percent Concentration Allison Approved TES 295 or TES 468 Fluids, Prognostics “ON” *		
REQUIRED **100 Percent Concentration Allison Approved TES 295 or TES 468 Fluids and Allison High Capacity Filters** REQUIRED		
General or Severe		
Change fluid when indicated by controller or 60 months, whichever occurs first. Replace filters with fluid.		
* If prognostics is turned “OFF ” or Not Calibrated in TCM after serial numbers listed above, refer to Table 11 for fluid change intervals.		
** Less than 100 percent concentration of TES 295 or TES 468 Allison Approved fluids is considered a mixture and shall not be used with Prognostics or this change schedule. Refer to Table 11 for utilization of Allison Approved Non-TES 295 or Non-TES 468 fluids change intervals.		

Table 13. Recommended Filter Change/Fluid Change Intervals — Allison High Capacity Filters — TES 389 or Mixture of TES 389 and TES 295 or TES 468 Fluids — Prognostics “ON”

NOTE: Refer to [Table 15](#) for Filter and Gasket Kit Information, [Table 16](#) for Fluid Capacity Information, [Table 17](#) for Additional Fill for Allison Coolers/Accumulators, and [Figure 1](#) for Drain Plug Location, Filter Locations, and Control Module Dimensions.

NOTE: TES 389 schedule to be used with MY2010 Prognosis “ON” and requires TCM calibration CIN 4C or later (4C-xxxxx-yyy-z).

Filter Change Intervals, TES 389 or Mixture of TES 389 and TES 295 or TES 468 Fluids, Prognostics “ON” *		
REQUIRED — TES 389 or Mixture of TES 389 and TES 295 or TES 468 Allison Approved Fluids and Allison High Capacity Filters — REQUIRED		
General or Severe		
Main Filter	Internal Filter	Lube Filter
Change filters when indicated by controller between fluid changes or 24 months, whichever occurs first.	Overhaul	Change filters when indicated by controller between fluid changes or 24 months, whichever occurs first.
Fluid Change Intervals, TES 389 or Mixture of TES 389 and TES 295 or TES 468 Fluids, Prognostics “ON” *		
REQUIRED — TES 389 or Mixture of TES 389 and TES 295 or TES 468 Allison Approved Fluids and Allison High Capacity Filters — REQUIRED		
General or Severe		
Change fluid when indicated by controller or 24 months, whichever occurs first. Replace filters with fluid.		
* If prognostics is turned “OFF ” or Not Calibrated in TCM after serial numbers listed above, refer to Table 11 for utilization of Allison Approved Non-TES 295 or Non-TES 468 fluids change intervals.		

Table 14. Recommended Filter Change/Fluid Change Intervals — MIL-PRF-2104, MIL-PRF-21260, MIL-PRF-46167

NOTE: Change filters/fluid at or before recommended mileage, months, or hours have elapsed, whichever occurs first.

NOTE: Local conditions, severity of operation or duty cycle may require more or less frequent fluid change intervals that differ from the published recommended fluid change intervals of Allison Transmission. Allison Transmission recommends that customers use fluid analysis as the primary method for determining fluid change intervals. In the absence of a fluid analysis program the fluid change intervals listed in the charts should be used.

Filter Change/Fluid Change Intervals — MIL-PRF-2104, MIL-PRF-21260, MIL-PRF-46167	
PRIOR TO HIGH CAPACITY FILTERS or W/ HIGH CAPACITY FILTERS* WITH PROGNOSTICS TURNED "OFF" OR NOT CALIBRATED IN TCM	
General**	Severe***
25,000 miles (40 000 km) 1000 hours 12 months	12,000 miles (20 000 km) 500 hours 6 months
* High Capacity Filters released in models starting with S/N 6510670912, S/N 6520067342 (3000 Product Family) and S/N 6610205144, S/N 66200002521 (4000 Product Family) ** General Vocation: Intercity Coach with duty cycle less than or equal to one (1) stop per mile and all other vocations not listed in severe vocation. *** Severe Vocation: All Retarders, On/Off Highway, Refuse, Transit, Shuttle Transit, and Intercity Coach with duty cycle greater than one (1) stop per mile.	

Table 15. Filter and Gasket Kits

NOTE: Refer to [Figure 1](#) for Filter Locations, and Control Module Dimensions.

Filter and Gasket Kits	
Sump	High Capacity Filter Kit Part Number
2 inch	29558117
4 inch	29558118



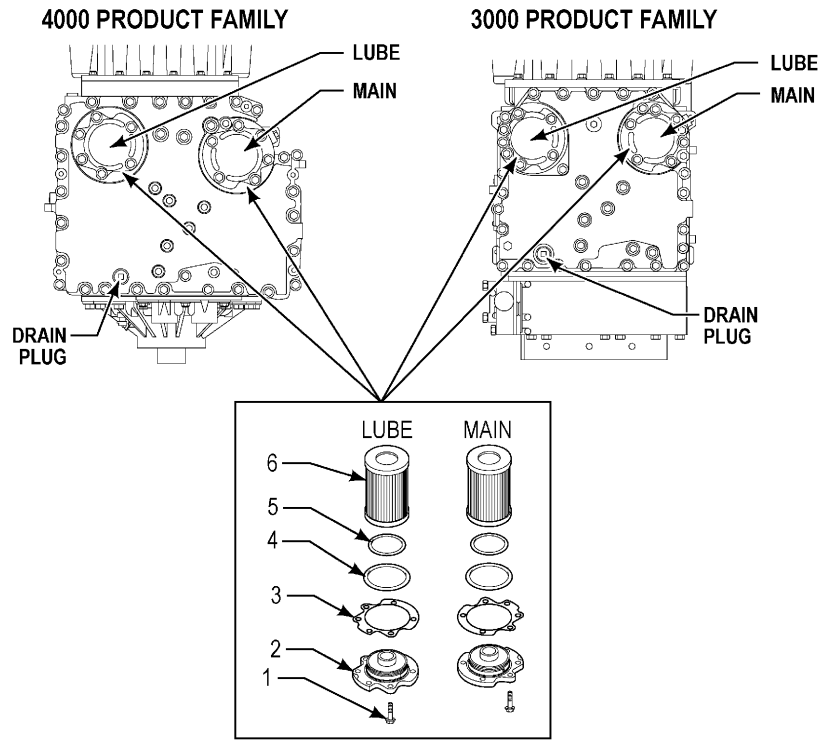
NOTE: Square cut filter cover O-rings P/N 29501469 are no longer included in High Capacity Filter Kits P/N 29558117 and P/N 29558118. When servicing former filter covers P/N 29507434, the required square cut filter cover O-rings must be ordered separately. Square cut filter cover O-rings were originally used in transmissions manufactured prior to January 22, 1996, prior to 3000 Series Product Family S/N 6510069120 or 4000 Series Product Family S/N 6610009730. Former filter covers can be identified by the part number cast on the exterior side of the filter cover. Any 3000 and 4000 Series Product Family transmissions with the former filter cover requires one square cut filter cover O-ring (4) and one O-ring (5) (refer to [Figure 1](#)) per filter cover. O-ring (5) is included in the aforementioned high capacity filter kits. Some remanufactured transmissions may require the use of square cut O-rings if equipped with the former filter covers.

Table 16. Fluid Capacity

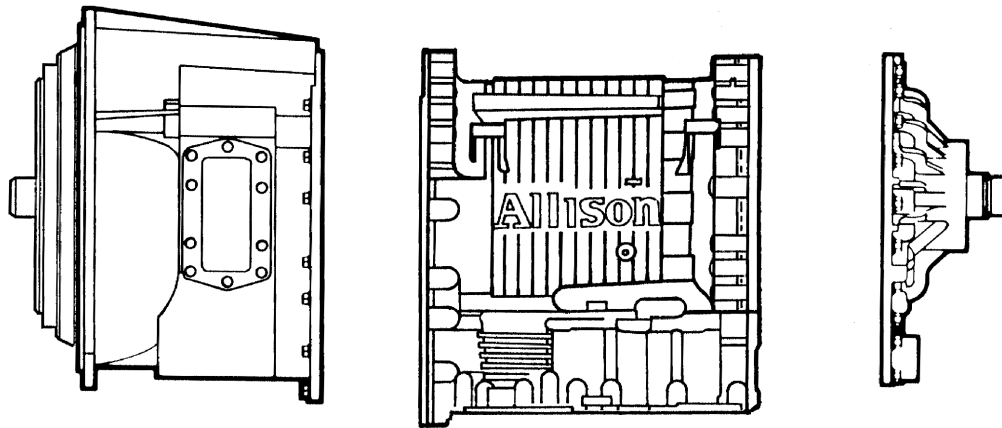
Fluid Capacities (Approximate)*			
Transmissions Fluid Loss — Filter Change Only: Main Filter = 1.9 liters (2 quarts) Lube Filter = 7.6 liters (8 quarts)			
Model	Sump	Initial Fill**	Refill**
		Liters (Quarts)	Liters (Quarts)
3000	4 inch	27 (29)	18 (19)
3000	2 inch	25 (26)	16 (17)
4000	4 inch***	45 (48)	37 (39)
4000	2 inch***	38 (40)	30 (31)
* Fluid fill capacity is dependent on vehicle configuration. Final fluid capacity must be determined by dipstick level (see Mechanic's Tips MT3004EN Section 1 or your Operator's Manual under "Care and Maintenance". ** Approximate quantities, do not include external lines, cooler, and hose *** Add 2.8 Liters (3 Quarts) for Transmissions with PTO			

Table 17. Additional Fill for Allison Coolers/Accumulators

Additional Fill for Allison Coolers/Accumulators		
Product Family	Cooler Type	Liters (Quarts)
3000/4000	Non-Retarder Direct Mount	1.0 (1.1)
3000/4000	Remote/Retarder/Sump	2.5 (2.6)
3000	Retarder Accumulator	1.2 (1.3)
4000	Direct Mount/Retarder	2.1 (2.2)
4000	Retarder Accumulator	0.6 (0.6)



NOTE: Torque all filter cover retaining bolts to 51-61 N•m (38-45 lb ft)
NOTE: Main and Lube Filter designations cast into bottom of Control Module
NOTE: O-Ring #4 is no longer included in high capacity filter kits.



* 4 inch Control Module Measures 3.5 inch approximately
 2 inch Control Module Measures 1.75 inch approximately



Figure 1. Drain Plug/Filter Location and Control Module Dimensions

3627636

Appendix C. TC10 Filter Change/Fluid Change Intervals

Table 18. Recommended Filter Change/Fluid Change Intervals — Prognostics is NOT Enabled/Turned OFF

NOTE: Refer to [Table 20](#) for Filter and Gasket Kit information, [Table 21](#) for Fluid Capacity information and [Figure 2](#) for Drain Plug and Filter Locations.

NOTE: Change filters/fluid at or before recommended mileage, months, or hours have elapsed, whichever occurs first.

NOTE: Local conditions, severity of operation or duty cycle may require more or less frequent fluid change intervals that differ from the published recommended fluid change intervals of Allison Transmission. Allison Transmission recommends that customers use fluid analysis as the primary method for determining fluid change intervals. In the absence of a fluid analysis program the fluid change intervals listed in the charts should be used.

Filter Change Intervals, No Prognostics or when Prognostics is NOT Enabled/Turned OFF	
100 Percent Concentration Allison Approved TES 295 Fluid	
Internal Filter	Lube Filter
General Overhaul	General 500,000 Miles (804,700 km) 20,000 Hours 60 Months
Fluid Change Intervals, No Prognostics or when Prognostics is NOT Enabled/Turned OFF	
100 Percent Concentration Allison Approved TES 295 Fluid	
General 500,000 Miles (804,700 km) 20,000 Hours 60 Months	

Table 19. Recommended Filter Change/Fluid Change Intervals — Prognostics “ON”

Filter Change Intervals, 100 Percent Concentration Allison Approved TES 295 Fluid, Prognostics “ON” *	
REQUIRED — 100 Percent Concentration Allison Approved TES 295 Fluid and Allison Filters — REQUIRED	
General	
Internal Filter	Lube Filter
Overhaul	Change filter when indicated by controller between fluid changes or 60 months, whichever occurs first
Fluid Change Intervals, 100 Percent Concentration Allison Approved TES 295 Fluid, Prognostics “ON” *	
REQUIRED — 100 Percent Concentration Allison Approved TES 295 Fluid and Allison Filters — REQUIRED	
General	
Change fluid when indicated by controller or 60 months, whichever occurs first. Replace filter with fluid.	
* If prognostics is turned "OFF" or Not Calibrated in the TCM, refer to Table 18 for fluid change intervals.	

Table 20. Filter and Gasket Kits

NOTE: Refer to [Figure 2](#) for Filter Location.

Filter and Gasket Kits	
Description	Part Number
Kit - Oil Filter	29554653
Oil Filter*	29545780
O-Ring, Cover *	29554650
Seal, Drain Plug *	24205123
Instruction Sheet # 350 *	29554750
Internal Suction Filter**	29551998
*Included in the Oil Filter Kit **Overhaul Only	

Table 21. Fluid Capacity

Capacities (Approximate) *		
Model	Initial Fill **	Refill **
	Liters (Quarts)	Liters (Quarts)
TC10	49 (52)	38 (40)
* Fluid fill capacity is dependent on vehicle configuration. Final fluid capacity must be determined by dipstick level (refer to Mechanic's Tips MT7119EN Section 2 or your Operator's Manual OM7118EN under "Care and Maintenance"). ** Approximate quantities, do not include external circuits.		

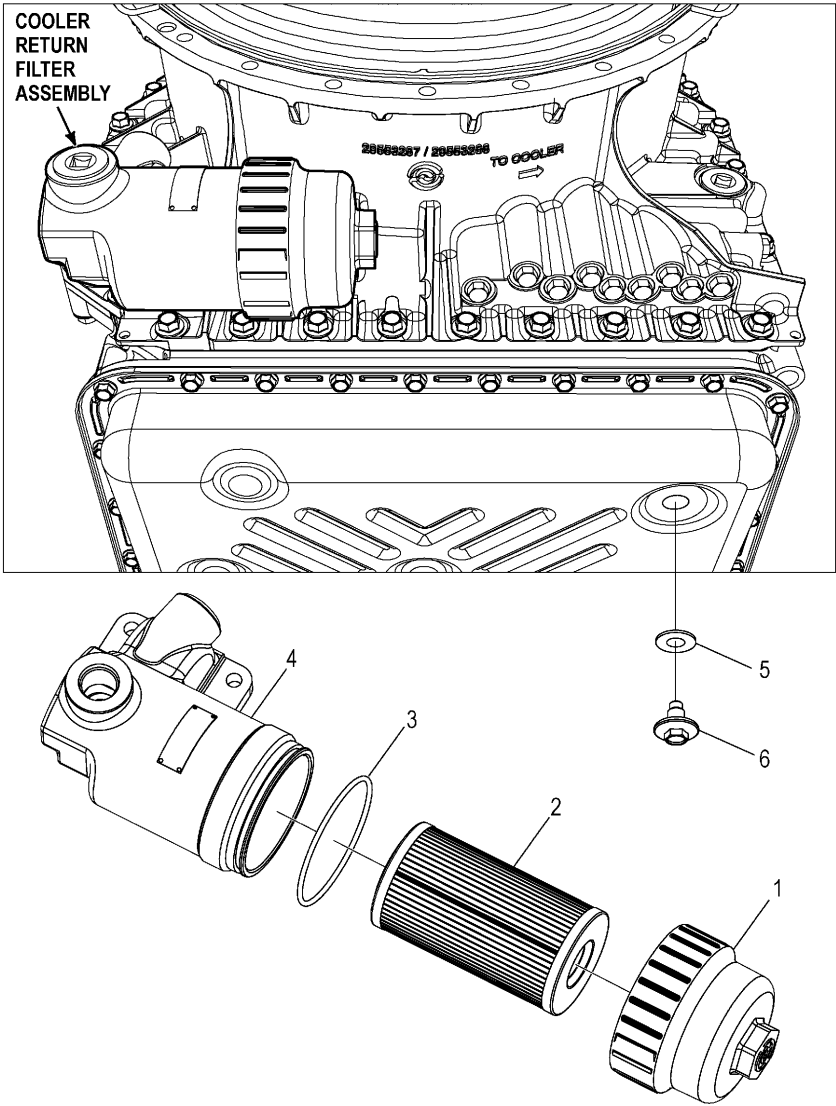


Figure 2. Drain Plug and Filter Locations

370344

Appendix D. H 40/50 EP Filter Change/Fluid Change Intervals

Table 22. Recommended Filter Change/Fluid Change Intervals

NOTE: Refer to [Figure 3](#) for Drain Plug and Filter Locations.

NOTE: Change filters/fluid at or before recommended mileage or months have elapsed, whichever occurs first.

NOTE: H 40/50 EP™ Drive Unit Drive Unit Lube Filter extended time change intervals are only valid with the use of Allison Transmission High-Capacity Filters. High-Capacity Filters implemented into production starting with S/N 7110001551

NOTE: Local conditions, severity of operation or duty cycle may require more or less frequent fluid change intervals that differ from the published recommended fluid change intervals of Allison Transmission. Allison Transmission recommends that customers use fluid analysis as the primary method for determining fluid change intervals. In the absence of a fluid analysis program the fluid change intervals listed in the charts should be used.

Filter Change Intervals				
REQUIRED — 100 Percent Concentration of TES 468 Fluid — REQUIRED				
Control Main Filter		Lube Filter		Sump/Internal Filter
Initial	After Initial	Gold Series	High Capacity	
5,000 Miles (8 000 km) 200 Hours	50,000 Miles (80 000 km) 24 Months	50,000 Miles (80 000 km) 24 Months	100,000 Miles (160 000 km) 48 Months	Overhaul
Fluid Change Intervals				
REQUIRED — 100 Percent Concentration of TES 468 Fluid — REQUIRED				
100,000 Miles (160 000 km) 48 Months				

Table 23. Filter and Gasket Kits

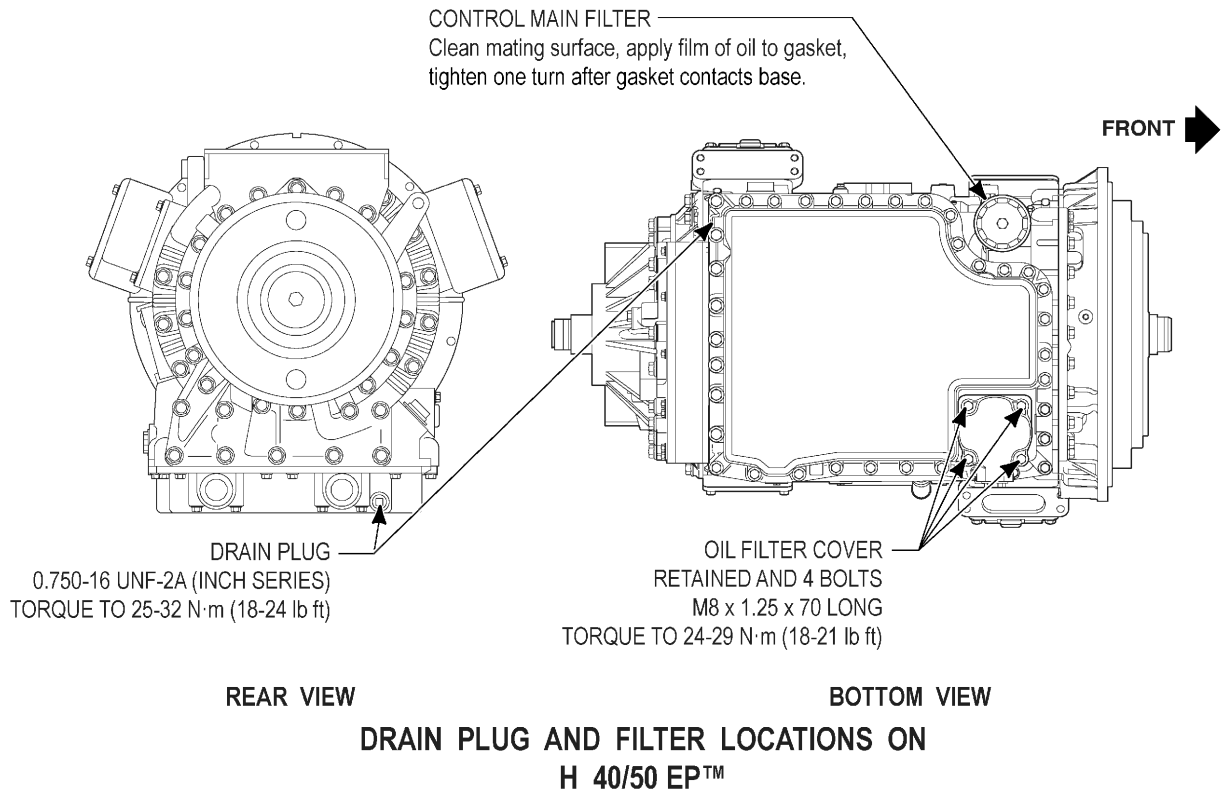
NOTE: Refer to [Figure 3](#) for Drain Plug and Filter Locations.

Filter and Gasket Kits	
Description	Part Number
Lube Filter and Gasket Kit	29545785
Control Main Filter	29539579

Table 24. Fluid Capacity

NOTE: Refer to [Figure 3](#) for Drain Plug and Filter Locations.

Capacities (Approximate) *	
Transmissions Fluid Loss — Filter Change Only: Control Main filter = 0.94 liters (1 quart) Lube Filter = 2.84 liters (3 quarts)	
Model	Refill**
	Liters (Quarts)
H 40/50 EP™ Drive Unit Drive Unit	15.1 (16)
* Fluid fill capacity is dependent on vehicle configuration. ** Approximate quantities, do not include DPIM, cooler, and external lines.	



39691

Figure 3. Drain Plug and Filter Locations

Appendix E. AT 500 Series Filter Change/Fluid Change Intervals

Table 25. Recommended Filter Change Intervals

NOTE: Refer to [Table 26](#) for Fluid Change Intervals, [Table 27](#) for Filter and Gasket Kit Information and [Table 28](#) for Fluid Capacity Information.

NOTE: Change filters at or before recommended mileage, months, or hours have elapsed, whichever occurs first.

Filter Change Intervals							
100 Percent Concentration Allison Approved TES 295 or TES 468 Fluids*				Allison Approved Non-TES 295 or Non-TES 468 Fluids*			
Internal Filter		Lube/Auxiliary Filter		Internal Filter		Lube/Auxiliary Filter	
General***	Severe****	Initial 5000 Miles (8000 km) 200 Hours		General***	Severe****	Initial 5000 Miles (8000 km) 200 Hours	
Polyester Filter**		General****†	Severe****†	Polyester Filter**		General****†	Severe****†
Overhaul	Overhaul	50,000 Miles (80 000 km) 2000 Hours 24 Months	25,000 Miles (40 000 km) 1000 Hours 12 Months	Overhaul	Overhaul	25,000 Miles (40 000 km) 1000 Hours 12 Months	12,000 Miles (20 000 km) 500 Hours 6 Months
Wire Mesh Filter				Wire Mesh Filter			
100,000 Miles (160 000 km) 4000 Hours 48 Months	50,000 Miles (80 000 km) 2000 Hours 24 Months			25,000 Miles (40 000 km) 1000 Hours 12 Months	12,000 Miles (20 000 km) 500 Hours 6 Months		
See www.allisontransmission.com for a list of Allison Approved TES 389 fluids.							
* Anything other than 100 percent concentration of Allison Approved TES 295 or TES 468 fluid is considered a mixture and should utilize Allison Approved Non-TES 295 or Non-TES 468 fluids change intervals. *** General Vocation: less than one (1) stop per mile. **** Severe Vocation: more than one (1) stop per mile. ** For additional information regarding the polyester internal filter see the latest revision of SIL 9-TR-01. † When an Allison recommended high-efficiency filter is used, the change interval is not until the Change Filter light indicates the filter is contaminated or until it has been in use for 3 years, whichever occurs first. No mileage restrictions apply. High efficiency filters are only approved for use with AT/MT/HT Series.							

Table 26. Recommended Fluid Change Intervals

NOTE: Refer to [Table 25](#) for Filter Change Intervals, [Table 27](#) for Filter and Gasket Kit Information and [Table 28](#) for Fluid Capacity Information.

NOTE: Change fluid at or before recommended mileage, months, or hours have elapsed, whichever occurs first.

NOTE: Local conditions, severity of operation or duty cycle may require more or less frequent fluid change intervals that differ from the published recommended fluid change intervals of Allison Transmission. Allison Transmission recommends that customers use fluid analysis as the primary method for determining fluid change intervals. In the absence of a fluid analysis program the fluid change intervals listed in the charts should be used.

Fluid Change Intervals			
100 Percent Concentration Allison Approved TES 295 or TES 468 Fluids*		Allison Approved Non-TES 295 or Non-TES 468 Fluids*	
General**	Severe***	General**	Severe***
100,000 Miles (160 000 km) 4000 Hours 48 Months	50,000 Miles (80 000 km) 2000 Hours 24 Months	25,000 Miles (40 000 km) 1000 Hours 12 Months	12,000 Miles (20 000 km) 500 Hours 6 Months
See www.allisontransmission.com for a list of Allison Approved TES 389 fluids.			
* Anything other than 100 percent concentration of Allison Approved TES 295 or TES 468 fluid is considered a mixture and should utilize Allison Approved Non-TES 295 or Non-TES 468 fluids change intervals. ** General Vocation: less than one (1) stop per mile. *** Severe Vocation: more than one (1) stop per mile.			

Table 27. Filter and Gasket Kits

NOTE: See the latest revision of SIL 9-TR-01 for additional information.

Filter and Gasket Kits	
Pan	Oil Filter and Gasket Kit Part Number
97 mm (3.8 inch) oil pan	29540976
135 mm (5.3 inch) oil pan	29538489

Table 28. Fluid Capacity

Capacities (Approximate)*	
Pan Depth	Initial Fill**
	Liters (Quarts)
97 mm (3.8 inch) oil pan	8.5 (9)
135 mm (5.3 inch) oil pan	15 (16)
* Fluid fill capacity is dependent on vehicle configuration. Final fluid capacity must be determined by dipstick level (see Mechanic's Tips MT1321EN Section 1 or your Operator's Manual under "Care and Maintenance") ** Approximate quantities, do not include external lines and cooler hose	

Appendix F. MT 600 Series Filter Change/Fluid Change Intervals

Table 29. Recommended Filter Change Intervals

NOTE: Refer to [Table 30](#) for Fluid Change Intervals, [Table 31](#) for Filter and Gasket Kit Information, and [Table 32](#) for Fluid Capacity Information.

NOTE: Change filters at or before recommended mileage, months, or hours have elapsed, whichever occurs first.

NOTE: Local conditions, severity of operation or duty cycle may require more or less frequent fluid change intervals that differ from the published recommended fluid change intervals of Allison Transmission. Allison Transmission recommends that customers use fluid analysis as the primary method for determining fluid change intervals. In the absence of a fluid analysis program the fluid change intervals listed in the charts should be used.

Filter Change Intervals							
100 Percent Concentration Allison Approved TES 295 or TES 468 Fluids *				Allison Approved Non-TES 295 or Non-TES 468 Fluids *			
Internal Filter		Lube/Auxiliary Filter		Internal Filter		Lube/Auxiliary Filter	
General**	Severe***	Initial 5000 Miles (8000 km) 200 Hours		General**	Severe***	Initial 5000 Miles (8000 km) 200 Hours	
Overhaul	Overhaul	General**†	Severe***†	Overhaul	Overhaul	General**†	Severe***†
		50,000 Miles (80 000 km) 2000 Hours 24 Months	25,000 Miles (40 000 km) 1000 Hours 12 Months			25,000 Miles (40 000 km) 1000 Hours 12 Months	12,000 Miles (20 000 km) 500 Hours 6 Months

See www.allisontransmission.com for a list of Allison Approved TES 389 fluids.

* Anything other than 100 percent concentration Allison Approved TES 295 or TES 468 fluid is considered a mixture and should utilize Allison Approved Non-TES 295 or Non-TES 468 fluids change intervals.
 ** General Vocation: less than one (1) stop per mile.
 *** Severe Vocation: more than one (1) stop per mile.
 † When an Allison recommended high-efficiency filter is used, the change interval is not until the Change Filter light indicates the filter is contaminated or until it has been in use for 3 years, whichever occurs first. No mileage restrictions apply. High efficiency filters are only approved for use with AT/MT/HT Series.

Table 30. Recommended Fluid Change Intervals

NOTE: Refer to [Table 29](#) for Filter Change Intervals, [Table 31](#) for Filter and Gasket Kit Information, and [Table 32](#) for Fluid Capacity Information.

NOTE: Change fluid at or before recommended mileage, months, or hours have elapsed, whichever occurs first.

NOTE: Local conditions, severity of operation or duty cycle may require more or less frequent fluid change intervals that differ from the published recommended fluid change intervals of Allison Transmission. Allison Transmission recommends that customers use fluid analysis as the primary method for determining fluid change intervals. In the absence of a fluid analysis program the fluid change intervals listed in the charts should be used.

Fluid Change Intervals			
100 Percent Concentration Allison Approved TES 295 or TES 468 Fluids *		Allison Approved Non-TES 295 or Non-TES 468 Fluids *	
General**	Severe***	General**	Severe***
100,000 Miles (160 000 km) 4000 Hours 48 Months	50,000 Miles (80 000 km) 2000 Hours 24 Months	25,000 Miles (40 000 km) 1000 Hours 12 Months	12,000 Miles (20 000 km) 500 Hours 6 Months
See www.allisontransmission.com for a list of Allison Approved TES 389 fluids.			
*Anything other than 100 percent concentration Allison Approved TES 295 or TES 468 fluid is considered a mixture and should utilize Allison Approved Non-TES 295 or Non-TES 468 fluids change intervals.			
** General Vocation: less than one (1) stop per mile.			
*** Severe Vocation: more than one (1) stop per mile.			

Table 31. Filter and Gasket Kit

NOTE: See the latest revision of SIL 4-TR-01 for additional information.

Filter and Gasket Kit
Oil Filter and Gasket Kit Part Number
29538489

Table 32. Fluid Capacity

Capacities (Approximate) *	
Pan Depth	Initial Fill**
	Liters (Quarts)
110 mm (4.3 inch) oil pan	11 (12)
130 mm (5.1 inch) oil pan	14 (15)
* Fluid fill capacity is dependent on vehicle configuration. Final fluid capacity must be determined by dipstick level (see Mechanic's Tips MT1357EN Section 1 or your Operator's Manual under "Care and Maintenance")	
** Approximate quantities, do not include external lines and cooler hose	

Appendix G. HT 700 Series Filter Change/Fluid Change Intervals

Table 33. Recommended Filter Change Intervals

NOTE: Refer to [Table 34](#) for Fluid Change Intervals, [Table 35](#) for Filter and Gasket Kit Information, and [Table 36](#) for Fluid Capacity Information.

NOTE: Change filters at or before recommended mileage, months, or hours have elapsed, whichever occurs first.

Filter Change Intervals				
100 Percent Concentration Allison Approved TES 295 or TES 468 Fluids*				
Main Filter		Internal Filter	Lube/Auxiliary Filter	
General**	Severe***	Overhaul	Initial 5000 Miles (8000 km) 200 Hours	
50,000 Miles (80 000 km) 2000 Hours 24 Months	25,000 Miles (40 000 km) 1000 Hours 12 Months		General***†	Severe***†
			50,000 Miles (80 000 km) 2000 Hours 24 Months	25,000 Miles (40 000 km) 1000 Hours 12 Months
Allison Approved Non-TES 295 or Non-TES 468 Fluids*				
Main Filter		Internal Filter	Lube/Auxiliary Filter	
General**	Severe***	Overhaul	Initial 5000 Miles (8000 km) 200 Hours	
25,000 Miles (40 000 km) 1000 Hours 12 Months	12,000 Miles (20 000 km) 500 Hours 6 Months		General***†	Severe***†
			25,000 Miles (40 000 km) 1000 Hours 12 Months	12,000 Miles (20 000 km) 500 Hours 6 Months
See www.allisontransmission.com for a list of Allison Approved TES 389 fluids				
* Anything other than 100 percent concentration of Allison Approved TES 295 or TES 468 fluid is considered a mixture and should utilize Allison Approved Non-TES 295 or Non-TES 468 fluids change intervals. ** General Vocation: less than one (1) stop per mile. *** Severe Vocation: more than one (1) stop per mile. † When an Allison recommended high-efficiency filter is used, the change interval is not until the Change Filter light indicates the filter is contaminated or until it has been in use for 3 years, whichever occurs first. No mileage restrictions apply. High efficiency filters are only approved for use with AT/MT/HT Series.				

Table 34. Recommended Fluid Change Intervals

NOTE: Refer to [Table 33](#) for Filter Change Intervals, [Table 35](#) for Filter and Gasket Kit Information, and [Table 36](#) for Fluid Capacity Information.

NOTE: Change fluid at or before recommended mileage, months, or hours have elapsed, whichever occurs first.

NOTE: Local conditions, severity of operation or duty cycle may require more or less frequent fluid change intervals that differ from the published recommended fluid change intervals of Allison Transmission. Allison Transmission recommends that customers use fluid analysis as the primary method for determining fluid change intervals. In the absence of a fluid analysis program the fluid change intervals listed in the charts should be used.

Fluid Change Intervals			
100 Percent Concentration Allison Approved TES 295 or TES 468 Fluids *		Allison Approved Non-TES 295 or Non-TES 468 Fluids*	
General**	Severe***	General**	Severe***
100,000 Miles (160 000 km) 4000 Hours 48 Months	50,000 Miles (80 000 km) 2000 Hours 24 Months	25,000 Miles (40 000 km) 1000 Hours 12 Months	12,000 Miles (20 000 km) 500 Hours 6 Months
See www.allisontransmission.com for a list of Allison Approved TES 389 fluids			
*Anything other than 100 percent concentration of Allison Approved TES 295 or TES 468 fluid is considered a mixture and should utilize Allison Approved Non-TES 295 or Non-TES 468 fluids change intervals.			
**General Vocation: less than one (1) stop per mile.			
***Severe Vocation: more than one (1) stop per mile.			

Table 35. Filter and Gasket Kit

Filter and Gasket Kits	
Pan	Filter and Gasket Kit Part Number
114 mm (4.5 inch) Oil Pan	29530562
114 mm (4.5 inch) Oil Pan (With adapter 23016883 and pan 23016884)	29530563
152 mm (6 inch) Oil Pan	6839945
178 mm (7 inch) Oil Pan	29530564
216 mm (8.5 inch) Hydraulic Oil Pan	23012407
216 mm (8.5 inch) Electronic Oil Pan	29530565

Table 36. Fluid Capacities

Capacities (Approximate)*	
Pan Depth	Refill**
	Liters (Quarts)
114 mm (4.5 inch) oil pan	32 (34)
152 mm (6 inch) oil pan	28.5 (30)
178 mm (7 inch) oil pan	31 (33)
216 mm (8.5 inch) oil pan	40.5 (42.8)
<p>* Fluid fill capacity is dependent on vehicle configuration. Final fluid capacity must be determined by dipstick level (see Mechanic's Tips MT1366EN (Hydraulic Controls) or MT1958EN (Electronics Controls) Section 1 or your Operator's Manual under "Care and Maintenance")</p> <p>** Approximate quantities, do not include external lines, and cooler hose</p>	